

# ST400



## USER GUIDE

SW : 1.00  
ENGLISH

### OPERATING INSTRUCTIONS

ST400 control unit is compatible with universal voltage range (85-305V<sub>AC</sub> 50/60Hz L-N).

ST400 control unit can be used to control one single-phase 230V<sub>AC</sub> motor up to 800W or one three-phase 400V<sub>AC</sub> motor up to 1,5kW.

#### Instructions:

- Cable connections and the operating logic should be in compliance with regulations.
- The cables with different voltages should be kept detached or adequately insulated by an additional insulation of at least 1mm.
- Cables should be connected to terminals properly without exposed metal surface outside of terminals.
- Check all connections before powering the unit.
- **Normally Close (NC) inputs** which are not used should be short-circuited to **COM**.
- The power supply mains should be connected to an omni polar switch with contact opening distance minimum 3mm. Check that upstream electric system is provided with an adequate differential switch and overcurrent switch.
- Unless supervised or instructed, this device is not intended to be used by individuals with low physical, sensory or mental abilities (included children) or those lacking experience and knowledge.
- Children should be supervised to prevent them from playing with the device.
- Keep remote controls out of reach of children.
- Device is suitable for use at altitudes above 2000 meters.
- Inspect the installation for possible imbalance and signs of wear or damage in cables, springs and assembly. Do not use if repair or adjustment is necessary.
- Disconnect the power supply when cleaning or performing other maintenance.
- Installation instructions specify the type, size and mass of the driven part as well as locations where the controller unit can be mounted and whether the drive is suitable only for balanced vertically driven components.
- Before installing the controller unit, check that the driven part is properly balanced and suitable.
- After installation, make sure that the mechanism is properly adjusted.



**WARNING:**

Follow all instructions carefully as improper installation may result in serious injury.



**WARNING:**

Control unit must be disconnected from power supply during cleaning, maintenance and replacement of parts.

Can only be connected by qualified and trained electrical technicians.

Program the control unit and finish installation.

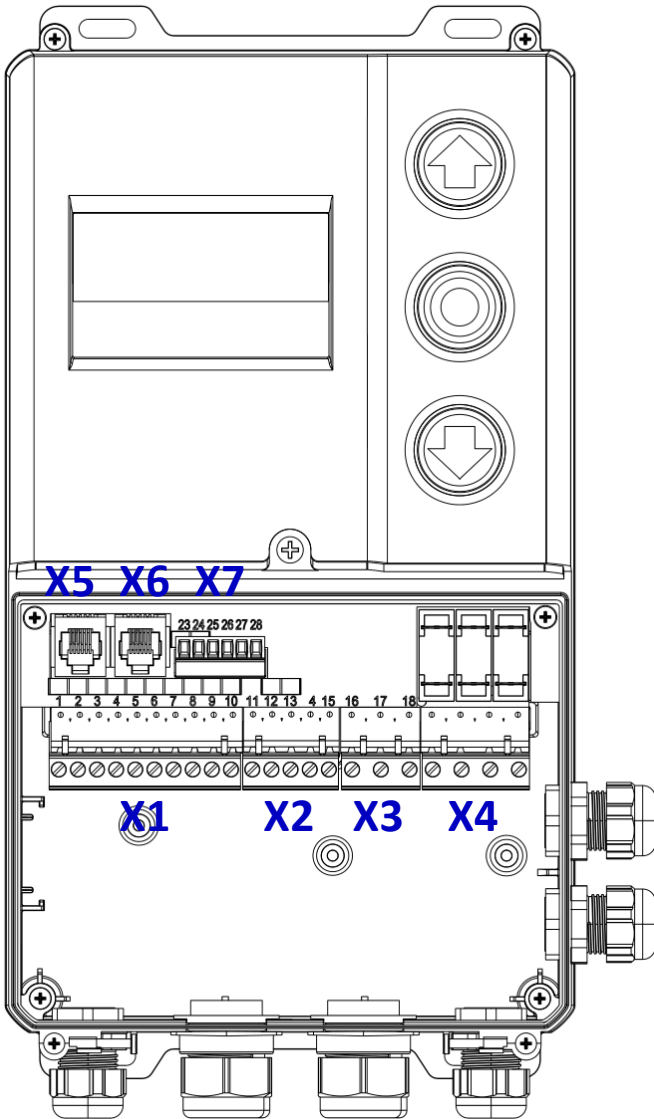
Qualified and trained electrical technicians are expected to meet the following requirements:

- Knowing and applying general and special safety and accident prevention regulations
- Knowledge of relevant electrical regulations
- Trained in the use and maintenance of appropriate safety equipment
- Recognizing electrical hazards

**NOTE:**

ST400 control unit does not contain substances such as Asbestos, PCB (Polychlorinated Biphenyl) and HG (Mercury) that are harmful to human health and is not used in its production.

# OVERVIEW



**X1 – COMMAND AND SECURITY DEVICES CONNECTION TERMINAL**

Pin	Function	Description
1	COM	Common connection
2	STOP	Emergency Stop connection (NC contact)
3	PHOTO	Photocell connection (NC contact)
4	START	Start button connection (NO contact)
5	OPEN	Open button connection (NO contact)
6	CLOSE	Close button connection (NO contact)
7	IN1	Programmable input 1 connection
8	IN2	Programmable input 2 connection
9	0V	24Vdc output (max. 250mA)
10	24V	

**X2 – OPTOELECTRONIC SAFETY EDGE TERMINAL**

Pin	Function	Description
11	12Vdc	Power supply 12Vdc for optical sensor
12	OSE/P	Safety edge signal connection
13	GND	Power supply GND for optical sensor
14	STP2	Stop input for pedestrian door connection (NC contact)
15	COM	Common connection

**X3 – MOTOR CONNECTION TERMINAL**

Pin	Function	Description
16	U	400VAC three-phase motor connection
17	V	
18	W	

**X4 – MAINS SUPPLY TERMINAL**

Pin	Function	Description
19	L1	Three-phase grid connection
20	L2	
21	L3	
22	N	Neutral

**X7 – LIMIT INFORMATION TERMINAL**

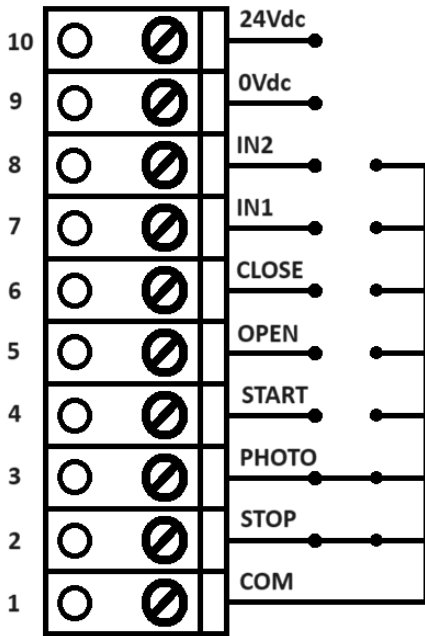
Pin	Function	Description
23	SWO or MANUAL	Open limit switch connection or motor manual switch (NC contact)
24	SWC or THERMIC	Close limit switch or motor thermic switch connection (NC contact)
25	A	ENC RS485A connection
26	B	ENC RS485B connection
27	GND	Power supply for ENC
28	12V+	

**X5 – PROGRAMMABLE RELAY MODULE TERMINAL**

**X6 – RECEIVER MODULE TERMINAL**

## CONNECTIONS

### X1 - Command and Security Devices Connection



Connections of command and safety devices are shown on the left.

You can give a STOP command to the door by connecting a NC contact button to the **STOP (2)** terminal. If this input will not be used, it must be connected to **COM(12)**.

You can connect your photocell output to the **PHOTO (3)** terminal. If a photocell is not used, this input should be connected to **COM(1)**. Photocell can be powered with using **24Vdc** power supply output (terminals **9** and **10**).

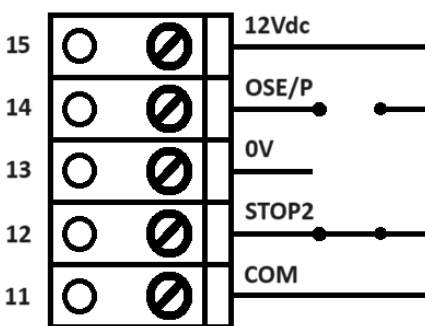
You can command the door to START by connecting a button to **START(4)** terminal. By default, it operates in the OPEN-STOP-CLOSE-STOP sequence. If this input will not be used, it should be left blank.

You can command the door to OPEN by connecting a button to **OPEN(5)** terminal. If this input will not be used, it should be left blank.

You can command the door to CLOSE by connecting a button to **CLOSE(6)** terminal. If this input will not be used, it should be left blank.

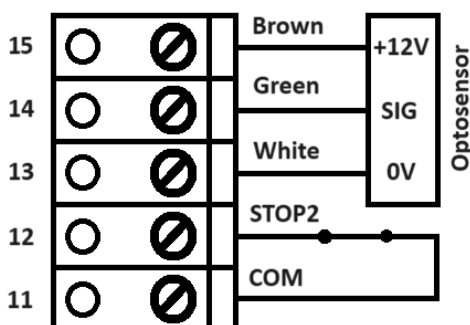
**IN1(7)** and **IN2(8)** terminals are programmable using programming menu. For options, see programming menu.

### X2 - Optoelectronic Safety Edge Connection



**STOP2(12)** can be programmed as either HALF-OPEN or PEDESTRIAN door switch (default). If this input will not be used, it should be connected to **COM(11)**.

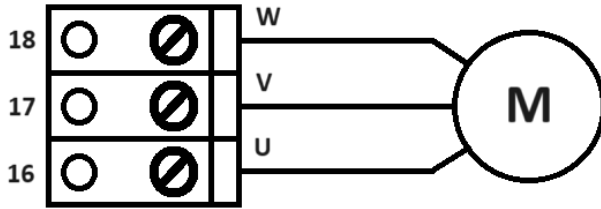
If pneumatic is to be connected to the door, it must be connected to the **OSE/P(14)** terminal. This input can be used as NO or NC. If not used, it must be connected to **+12V (15)** terminal.



If an optosensor will be connected to the door, **+12V(15)** and **GND (13)** terminals should be used for the supply voltage of the sensor. The sensor output must be connected **OSE/P (14)** terminal. This input programmed to respond to signals at a frequency of 100kHz.

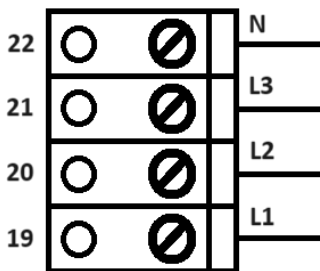
*\*To program the entry, see menu 503.*

### X3 - Motor Connection



Connect three-phase motor to the **U(16)**, **V(17)** and **W(18)** terminals shown in the figure.

### X4 - Mains Supply Connection



Make the power connection of the control unit from **L1(19)**, **L2(20)**, **L3(21)** and **N(22)** terminals as shown in the figure.

Mains supply input is compatible with:

3N~208VAC-50/60Hz

3N~240VAC-50/60Hz

3N~400VAC-50/60Hz

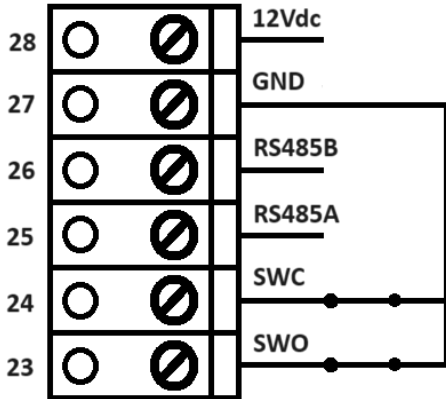
### X5 - Programmable Relay Module Connection

SBR Engineering programmable relay module can be connected this terminal. Our relay module includes three-way traffic light control and three independent programmable relay outputs. Those outputs can be programmed as flasher, door opened, door closed, buzzer etc. output from *INPUT-OUTPUT ADJUSTMENTS* menu.

### X6 - Receiver Module Connection

SBR Engineering remote receiver module can be connected to this connection.

## X7 - Limit Information Connection



As shown in the figure that is on the left, this terminal can be used for both **ENC (Electronical limit switch)** and **MEC (Mechanical limit switch)**. Connections as follows;

**12Vdc(28)** and **GND(27)** should be used to power **ENC**. If **MEC** is used, **GND(27)** is common connection.

**RS485B(26)** is connected to **Modbus-B** connection of **ENC**. If **MEC** is used, it should be left blank.

**RS485A(25)** is connected to **Modbus-A** connection of **ENC**. If **MEC** is used, it should be left blank.

**SWC(24)** is door closed switch connection. If **ENC** is used, it should be connected to **motor manual switch** connection.

**SWO(23)** is door opened switch connection. If **ENC** is used, it should be connected to **motor thermic switch** connection.

Unused terminals must be connected to **COM(8)** terminal.

**NOTE:** Cables which are suitable for door drive comes pre connected in the door drive box. Unplug this terminal from control unit and plug relevant end of the cable to this terminal.

## Programming with LCD Information Display

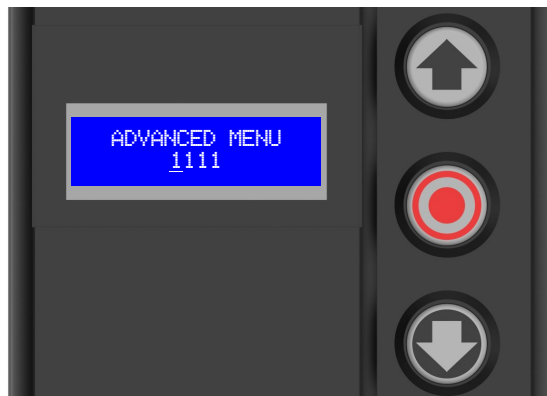
Various functions of the control unit can be programmed using LCD information screen located on the front of the unit and setting the necessary parameters in the programming menu as described below.

*PARAMETERS ADJUSTMENT MENU*, allows editing values of relevant functions.

*LOJIC ADJUSTMENT MENU*, allows to turn on-off relevant functions.

Special functions follow *PARAMETERS ADJUSTMENT MENU* or *LOJIC ADJUSTMENT MENU* and may vary depending on the type of controller or software version.

### Access to the Programming Menu:



1. Press and hold **UP** and **STOP** buttons at the same time, password screen will appear on the screen.
2. To enter the password, use **UP** and **DOWN** buttons. For changing position of cursor, use **STOP** button. (Default password is 1453)
3. Navigate to desired menu using **UP**, **DOWN** and **STOP** buttons.

1-PARAMETERS ADJUSTMENT	2-LOJIC ADJUSTMENT
3- END POSITION ADJUSTMENT	4-DOOR WORKING INFORMATION
5-INPUT-OUTPUT ADJUSTMENTS	6-LCD ADJUSTMENTS

**Note:** After a 60-second waiting period, control unit exits programming mode and programming menu will disappear.



**1-PARAMETERS  
ADJUSTMENT**

<b>100.AUTO. CLOSING TIME: 40 SEC</b>	Automatic close time. After countdown, control unit closes door.
<b>101.MAX. OPEN TIME: 30 SEC</b>	Maximum opening time. This parameter restricts maximum elapsed time on opening direction.
<b>102.MAX. CLOSE TIME: 30 SEC</b>	Maximum closing time. This parameter limits maximum elapsed time on closing direction.
<b>103.FOREWARN. OPN TIME: 2 SEC</b>	Before the door starts to move upwards, if the pre-warning mode is activated flasher will be on for pre-warning period.
<b>104.FOREWARN. CLS TIME: 5 SEC</b>	Before the door starts to move downwards, if the pre-warning mode is activated flasher will be on for pre-warning period.
<b>105.FAST CLOSE TIME: 5 SEC</b>	Fast close time. After the door opened, photocell detects passage and changes automatic closing time to set value. It must be activated from logic menü.
<b>106.TURNAROUND TIME: 200MS</b>	Waiting time at the change of direction.
<b>107.MAX CURRENT 4.0AMP</b>	Motor overcurrent protection value.
<b>110.PART. OPENING TIME: 5 SEC</b>	Half-opening time.

## 2-LOGIC ADJUSTMENT

200. AUTO. CLOSING OFF	Parameter to set automatic shutdown mode enable/disable
201. BLOCK PULSES OFF	Sets whether the START (Step-by-Step) signal or CLOSE button signal will be effective or not during opening phase.
202. FAST CLOSE OFF	Enable/disable status setting for quick shutdown mode.
203. WORKING MODE OP. AUTO/CLS. AUTO	<ol style="list-style-type: none"> <li>1. Open Auto/Close Auto</li> <li>2. Open Auto/Close Manual</li> <li>3. Open Manual/Close Manual</li> </ol>
204. 3 / 4 STEP OP/STOP/CLS/STOP	<ol style="list-style-type: none"> <li>1. Open/Stop/Close/Stop</li> <li>2. Open/Stop/Close/Open</li> </ol>
205. PRE-ALARM OFF	Enable/disable status setting for pre-warning mode. *Only effective with Relay Module and one of the relays should be set to flasher mode.
206. SPRING COUNT OFF	Spring life counter enable/disable setting.
207. GATE-CYCLE OFF	Service warning counter enable/disable setting.
208. SERVICE MODE OFF	Service mode enable/disable setting.
209. MENU PASSWRD ON	Menu password enable/disable setting.
210. PHASE DETECT ON	Phase control enable/disable setting.
211. OVER CURRENT ON	Overcurrent protection enable/disable setting.

### 3- END POSITION ADJUSTMENT

300.OPEN ENDPOS.  
5000

Click **OK** button to set open limit position.

300.OPEN ENDPOS.  
5000      4000

Press **OPEN** button to set opened position and press **OK** button to save.

Set Value

Actual Value

301.CLOSE ENDPOS  
3000

Click **OK** button to set close limit position.

301.CLOSE ENDPOS  
3000      4000

Press **CLOSE** button to set closed position and press **OK** button to save.

Set Value

Actual Value

302.FINE ADJ.OPEN

Calibration value for open limit.

303.FINE ADJ.CLOS

Calibration value for close limit.

304.ABSL.ENCODER  
OFF

Absolute encoder ON/OFF setting.

305.REVERSE OFF  
VALUE:      150

Cancellation position of safety edge systems for closing direction (distance value from close limit value).

306.ROTATINGFIELD  
MOD 1: STRAIGHT

Mod 1: Straight  
Mod 2: Reverse

4-DOOR WORKING  
INFORMATION

<p>400.TOTAL CYCLE COUNT: 0</p>	<p>Total cycle counter.</p>
<p>401.SERVICE WARN COUNT: 20000</p>	<p>Service warning value for cycle counter.</p>
<p>402.SPRING WARN. COUNT: 20000</p>	<p>Spring warning value for cycle counter.</p>
<p>403.PRODUC. DATE 21.11.2018</p>	<p>Production date.</p>
<p>404.MOUNT. DATE 09.01.2019</p>	<p>Installation date.</p>
<p>405.S.NO &amp; VER. XXXXXXXX VX.X</p>	<p>Product serial number and software version.</p>

## 5-INPUT-OUTPUT ADJUSTMENTS

500.INPUT10 SMC ON	Menu for setting closed limit switch input ON/OFF.
501.INPUT11 SWO ON	Menu for setting opened limit switch input ON/OFF
502.INPUT 12 OSE 2.PNEUMATIC NC	1.Optosensor    2.Pneumatic NC 3.Pneumatic NO
503.INPUT 7 IN1 PED. DOOR SWITCH	1.Pedestrian door switch 2.pedestrian open
504.INPUT 8 IN2 PEDESTRIAN OPEN	1.Pedestrian door switch 2.pedestrian open
505.FUNCTION RELAY SETTINGS	Settings menu for relay module function relays.
505.RELAY 1 3.ERROR	1.Flasher    4.Opening    7.Closed    10.Closing+Closed 2.Buzzer    5.Closing    8.Opened+Closed    11.Opening+Closed 3.Error    6.Opened    9.Opening+Opened    12.Closing+Opened
505.ROLE 2 6.OPENED	1.Flasher    4.Opening    7.Closed    10.Closing+Closed 2.Buzzer    5.Closing    8.Opened+Closed    11.Opening+Closed 3.Error    6.Opened    9.Opening+Opened    12.Closing+Opened
505.ROLE 3 7.CLOSED	1.Flasher    4.Opening    7.Closed    10.Closing+Closed 2.Buzzer    5.Closing    8.Opened+Closed    11.Opening+Closed 3.Error    6.Opened    9.Opening+Opened    12.Closing+Opened
506.FACTORY DEF. 2.END.ENCODER	1.Endust.M.SW.    2.End.Encoder    3.H.PVC M.Switch 4. H.PVC Encoder    5.Factory Reset

## 6-LCD ADJUSTMENTS

600-LANGUAGE  
1. TURKISH

Language selection menu.  
1.Turkish 2.English

601.MENU PASSWRD

Password change menu.

602ERROR HISTORY

Error history menu.

**FAULT MESSAGES**

EP500A POWER ERROR	Phase sequence is incorrect. Check phase sequence or fuses.
EP500A MOT. POWER ERROR	Check motor connection cables or motor.
EP500A EMERGENCY STOP1	Check emergency stop button or emergency button cables.
EP500A EMERGENCY STOP3	Check motor temperature, it I caused due to thermic switch or manual emergency operator.
EP500A ENCODER ERROR	Electronic limit switch communication error. Check ENC connection.
EP500A PED. DOOR OPEN	Check connection of STOP2 input.
EP500A MOTOR DIR. ERROR	Motor direction error. Change two cables of motor.



**SBR**  
— ENGINEERING

**Address:**

Fevziçakmak Mah. Sila Cad.

48-O, Elit Sanayi Sitesi,

Karatay / KONYA

**Phone** : +90 850 533 1727

**Fax** : +90 332 238 4182

**Mail** : info@sbr.com.tr

**Web** : www.sbr.com.tr